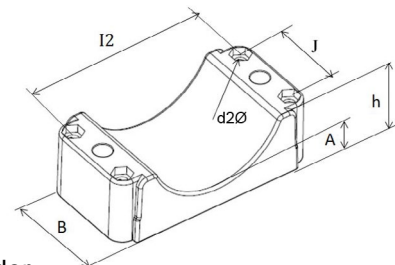
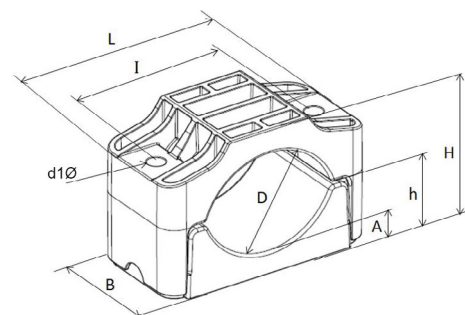


SPECIFICATION KOZ CABLE CLAMP ST 75-105

Application:	Suitable for mounting single- and multiple-conductor low- medium- and high voltage cables.
Range:	For cables with a nominal outer diameter of 75 up to 105 mm.
Material:	Black polyamide (PA66), fibreglass-reinforced, virgin material.
Fire resistance:	UL94 V-0 and classification standard DIN 5510-2:2009 with flammability class S3, smoke SR2 and dripping ST-2.
Standards:	Certified in accordance with the international standard NEN-EN-IEC 61914:2016.
Temperature:	Permanent application from -80°C to +120°C. Short-term heating of up to +220°C.
Advantages:	Resistant to oils, greases, frost, heat, UV, ozone, salt water, salts, acids, aggressive chemicals and radioactive radiation. Non-oxidizing, non-corrosive, non-magnetic and non-conductive. Halogen-free and no sharp edges. Lifetime warranty, easy assembly and available worldwide.
Extra possibilities:	The 4 holes in the bottom part of this clamp can be used for installation on all kinds of ladders and other support systems without drilling holes.



Initial torque for fastening fixing material : 5 – 8 Nm.
(depends on cable manufacturer's prescription).

Tests have been performed by KEMA, SGS, KU Leuven, UL and Schneider.

The product listed in this datasheet is produced in conformity with the latest EU Directive 2011/65 / EU (RoHS), and complies with all legal obligations in accordance with REACH.

DIMENSIONS IN MILLIMETERS

Type	DØ	L	B	I	d1Ø	d2Ø	H1	h	A	I2	J	Strength (N)
KOZ ST 75-105	75-105	160	80	125	13	8	109-139	49	16	133	51,6	71.300