

The world's strongest synthetic cable cleats and blocks

KOZ[®] PRODUCTS BV

Design - Development - Manufacturing

SGS

KEMA

Lloyd's
Register

Schneider
Electric

UL
Listed



KHLim



WWW.KOZPRODUCTS.COM



ALL KOZ[®] CABLE CLEATS AND BLOCKS ARE TESTED IN ACCORDANCE WITH THE LATEST CERTIFICATION OF ELECTRICAL INSTALLATIONS: THE NEN-EN-IEC 61914: 2016.

“SYNTHETIC CABLE CLEATS AND BLOCKS OF HIGH QUALITY THAT WILL INCREASE THE REPUTATION OF YOUR COMPANY!”

More and more new electrical installations need to comply with the strict international standards in our branch.

The new generation of cables with their synthetic sheaths and different characteristics require new installation methods.

The cable cleats and blocks can be used on an electrical system which is installed inside or outside. KOZ[®] cable cleats and blocks meet the technical expectations of the most demanding customers. The KOZ Products B.V. headquarters is located in the Netherlands, and introduce a wide range of synthetic cable cleats and cable blocks for the mounting of low-, medium- and high voltage cables.

The KOZ[®] cable cleats and blocks are already deployed in more than 40 countries, in the most extreme weather conditions with very positive results.

These synthetic cable cleats and blocks are manufactured of glass-fiber reinforced material and can be used for cables with an outer diameter between 13 and 160 mm.

The KOZ[®] cable cleats and blocks are manufactured according to NEN-EN ISO 9001 quality standard and are certified according to NEN-EN-IEC 61914: 2016 standard and carry the CE mark. They are also UL and Lloyds approved.

KOZ[®] cable cleats and blocks contain no lead or cadmium and are halogen free.

Also the KOZ[®] cable cleats and blocks gives the following benefits:

- Resistant to oils, fats, frost, heat, UV, ozone, salts moisture, acids, aggressive chemicals and nuclear radiation.
- Non oxidizing / non corrosive.
- Non magnetic / non conductive.
- V-0 (UL94) self-extinguishing, Halogen-free.
- Temperature range from -80°C to 120°C. (momentarily 225°C)
- No sharp angles.
- Lifetime warranty.
- Very simple installation.
- Delivery from stock.
- Available worldwide.
- Custom made fastening material is also available.

“QUALITY AND SERVICE ARE THE MAIN OBJECTIVE OF KOZ PRODUCTS B.V. THE QUALITY CHECKS AND CERTIFICATIONS ENSURES A HIGH QUALITY PRODUCT WITHOUT ANY DEFECTS SO YOU AS A VALUED CUSTOMER CAN ALWAYS RELY ON OUR PRODUCTS!”



ST SERIE CABLE CLEATS

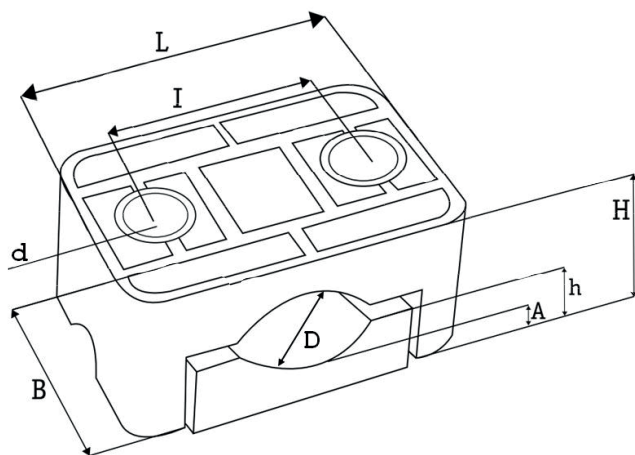
MECHANICAL STRENGTH 25.000 N. - 84.000 N.

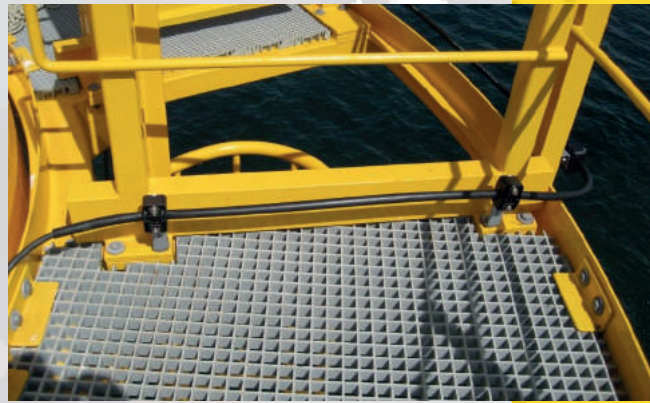
Application: This ST series is suitable for the mounting of single- and multi-conductor low-medium- and high voltage cables with an outer diameter from 16mm up to 130mm.

Design: The ST cleat consists of two parts, a bottom part and upper part. They are designed in such a way that the cable can be installed easily. The unique design meets the highest possible standard. This makes them well suited for applications wherein a high resistance against short circuit currents is required. The ST cleats have two fixing holes for threaded rods or bolts, the upper part also has integrated nut-chambers so that the nuts in the middle fits nicely in it.

Initial torque for fastening fixing material : 5 – 8 Nm (depends on cable manufacturer's prescription).

Type	DØ	L	B	I	dØ	H	h	a	Strength
KOZ ST 18-26	16-26	77	45	49	10,5	36-44	13,5	6	25.400
KOZ ST 26-38	26-38	92	60	60	12,5	48-60	21	10	34.900
KOZ ST 36-52	36-52	108	60	75	12,5	58-74	27	11	26.100
KOZ ST 50-75	50-75	128	60	95	12,5	76-101	35	14	32.300
KOZ ST 75-100	75-100	169	80	127	14,5	110-135	51	19	84.600
KOZ ST 75-105	75-105	160	80	125	13	109-139	49	16	71.300
KOZ ST 100-130	100-130	200	80	158	14,5	141-175	60	21	70.000





STC SERIE CABLE CLEATS

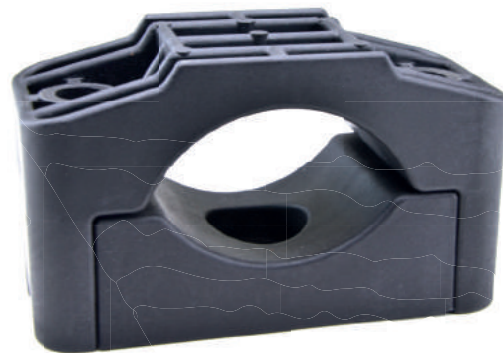
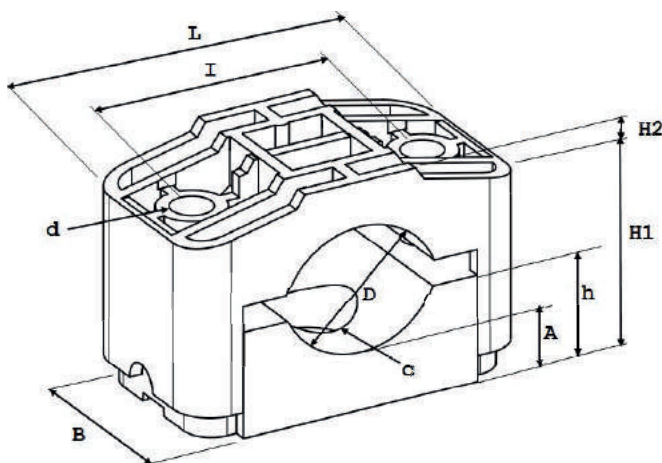
MECHANICAL STRENGTH 38.000 N. - 70.000 N.

Application: Suitable for fitting single- and multiple-conductor low- medium and high voltage cables with an outer diameter from 21mm up to 160mm.

Design: The STC cleat consists of two parts, a bottom part and upper part. They are designed in such a way that the cable can be installed easily. In addition to the two outer mounting holes this cleat also has a central fixing hole in the bottom part with the advantage that this cleat can be easily placed obliquely or in a bend for example. It also saves time when drilling is necessary, only one hole needs to be drilled. Another advantage is that the cleats can be mounted flat because of the nut-chambers in the bottom part.

Initial torque for fastening fixing material : 5 – 8 Nm (depends on cable manufacturer's prescription).

Type	DØ	L	B	I	dØ	H1	H2	h	A	C	Strength
KOZ STC 21-38	21-38	92	60	60	12,5	45-61	9	26	18	12,5	38.700
KOZ STC 36-52	36-52	107	60	75	12,5	57-72	12	33	18	12,5	43.200
KOZ STC 46-75	46-75	128	60	95	12,5	65-95	14	35	20	12,5	40.800
KOZ STC 72-100	72-100	172	80	127	14,5	91-119	19	51	22,5	14,5	47.300
KOZ STC 100-130	100-130	200	80	158	14,5	145-175	23	60	21	13	70.000
KOZ STC 120-160	120-160	230	80	190	15,5	145-185	23	71	24	14,5	48.000





UNI SERIE CABLE BLOCKS

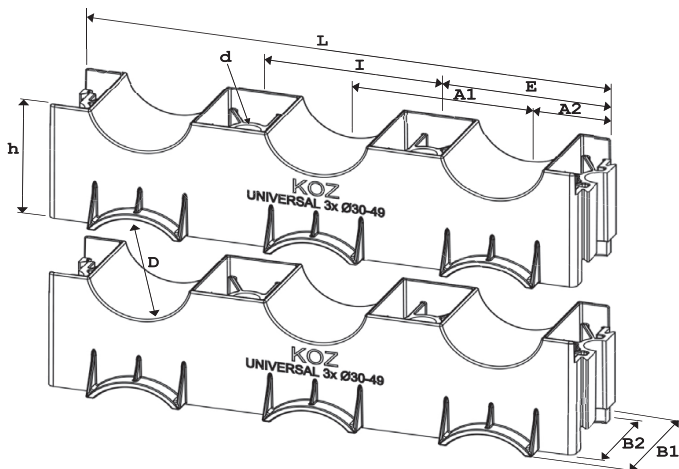
MECHANICAL STRENGTH 26.000 N. - 70.000 N.

Application: Suitable for fitting a number of single- and multipleconductor low, medium and high voltage cables alongside or in layers upon each other. For cables with a outer diameter from 13mm up to 67mm.

Design: A UNI block consists of one part, which has both the function of the lower part and upper part. They are designed in such a way that the cables can be installed easily in a flat formation of multiple cables alongside or above each other. At least 2 parts are needed to enable clamping of the first layer of cables.

Initial torque for fastening fixing material : 5 – 8 Nm (depends on cable manufacturer's prescription).

Type	DØ	L	I	E	A1	A2	B1	B2	dØ	h	Strength
KOZ UNI 3x 13-32	13-32	186,5	60,5	62,75	60,5	32,25	61	45	10,5	43	26.680
KOZ UNI 3x 30-49	30-49	255	85	83	85	40	66	50	13	65	41.700
KOZ UNI 3x 45-67	45-67	356	117	118	117	61	55	-	12,5	50	70.000
KOZ UNI 4x 13-32	13-32	246,5	121	62,75	60,5	32,25	61	45	10,5	43	32.500
KOZ UNI 4x 30-47	30-47	345	170	87,5	85	44,5	66	50	12,5	65	27.400





TRI SERIE CABLE CLEATS

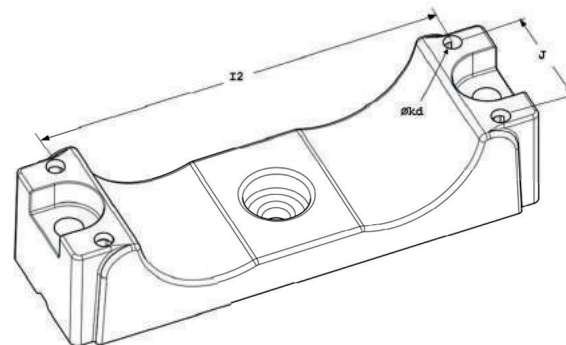
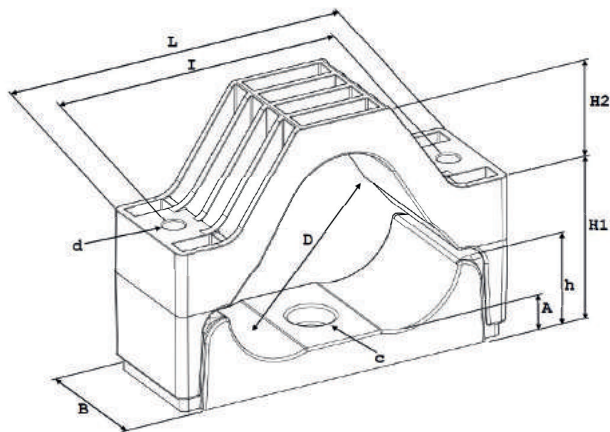
MECHANICAL STRENGTH 40.000 N. - 69.000 N.

Application: Suitable for fitting 3 single- and multiple-conductor low- medium and high voltage cables with an outer diameter from 25mm up to 150mm.

Design: The TRI cleat consists of two parts, a bottom part and upper part. They are designed in such a way that the cables can be easily mounted in Trefoil formation (3 cables). The TRI cleat has two outer fixing holes for threaded rods or bolts and both the upper and bottom part has integrated nut-chambers so the nuts on the bottom and in the middle fits nicely. Also, the bottom part is provided with a central fixing which creates more options for installation.

Initial torque for fastening fixing material : 5 – 8 Nm (depends on cable manufacturer's prescription).

Type	DØ	L	B	I	dØ	H1	H2	h	A	C	J	kdØ	I2	Strength
KOZ TRI 25-40	25-40	160	75	125	14,5	68-95	14	38	20	15	49	6,5	131,5	40.000
KOZ TRI 38-53	38-53	183	78	145	15	82-116	23	41	23,5	15	51	6,6	154	48.800
KOZ TRI 53-66	53-66	216	80	169	15	100-120	44	44	25	15,5	-	-	-	69.000
KOZ TRI 67-82	67-82	250	90	200	16,5	130-164	44,3	61,5	26	16,5	60	8,5	216	55.600
KOZ TRI 82-98	82-98	282	100	234	16,5	125-160	81	69,5	26	16,5	66	10,5	248	52.900
KOZ TRI 99-120	99-120	342	115	228	19	155-203	98	88	33	18,5	-	-	-	65.000
KOZ TRI 121-145	121-150	392	115	338	19	180-238	108	100	33	18,5	-	-	-	65.000





TRI ECO SERIE CABLE CLEATS

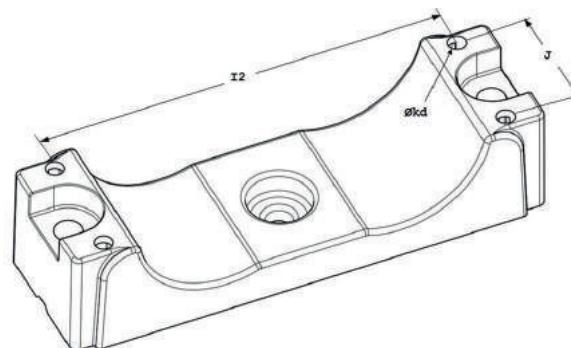
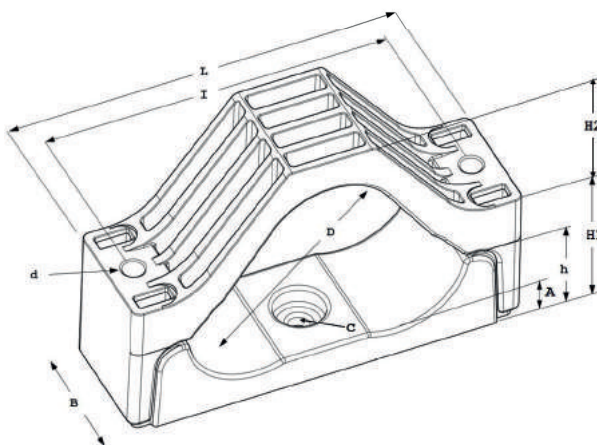
MECHANICAL STRENGTH 15.000 N. - 23.900 N.

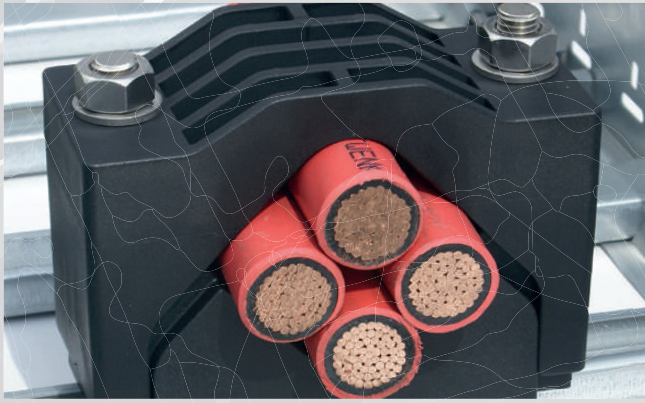
Application: Suitable for fitting 3 single- and multiple-conductor low- medium and high voltage cables with an outer diameter from 24mm up to 82mm.

Design: The TRI eco cleat consists of two parts, a bottom part and upper part. They are designed in such a way that the cables can be easily mounted in Trefoil formation (3 cables). Due to the smooth finish, damage to the cables, in the event of a short circuit is prevented. The TRI eco cleat has two outer fixing holes for threaded rods or bolts and both the upper and bottom part has integrated nut-chambers so the nuts on the bottom and in the middle fits nicely. Also, the bottom part is provided with a central fixing which provides more options for installation.

Initial torque for fastening fixing material : 5 – 8 Nm (depends on cable manufacturer's prescription).

Type	DØ	L	B	I	dØ	H1	H2	h	A	C	J	kdØ	I2	Strength
KOZ TRI eco 24-35	24-35	136	70	101	11	54-78	20	35	20	11	-	-	-	15.000
KOZ TRI eco 33-46 (11)	33-46	156	70	121	11	58-90	30	41	20	11	-	-	-	16.900
KOZ TRI eco 33-46 (13)	33-46	166	70	130	13	64-86	29	38	20	13	-	-	-	20.300
KOZ TRI eco 47-66	47-66	205	70	170	13	80-120	38	51	19	13	-	-	-	22.300
KOZ TRI eco 67-82	67-82	232	70	200	12,5	90-121	72	52,5	17	12,5	50	8,3	190	23.900





SQ SERIE CABLE CLEATS

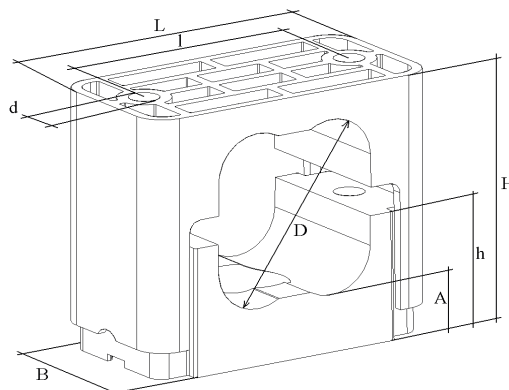
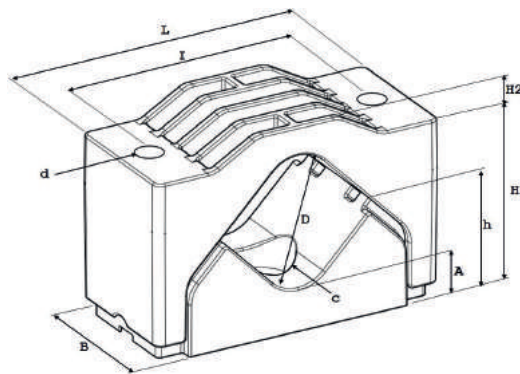
MECHANICAL STRENGTH 37.000 N. – 49.000 N.

Application: Suitable for fitting 4 single- and multiple-conductor low- medium and high voltage cables with an outer diameter from 25 up to 35mm.

Design: The SQ cleat consists of two parts, a bottom part and upper part. They are designed in such a way that the 4 cables can be easily installed. The SQ cleat has two outer fixing holes for threaded rods or bolts and the bottom part is provided with a central fixing hole which provides more options for installation.

Initial torque for fastening fixing material : 5 – 8 Nm (depends on cable manufacturer's prescription).

Type	DØ	L	B	I	dØ	H/H1	H2	h	A	C	Strength
KOZ SQ 25-35	25-35	138	65	110	12,5	80-108	12,5	56	21	12,5	37.000
KOZ SQ 28	26,6-28,7	110	55	60	10,5	88-91,4	-	47	22	12,5	49.000



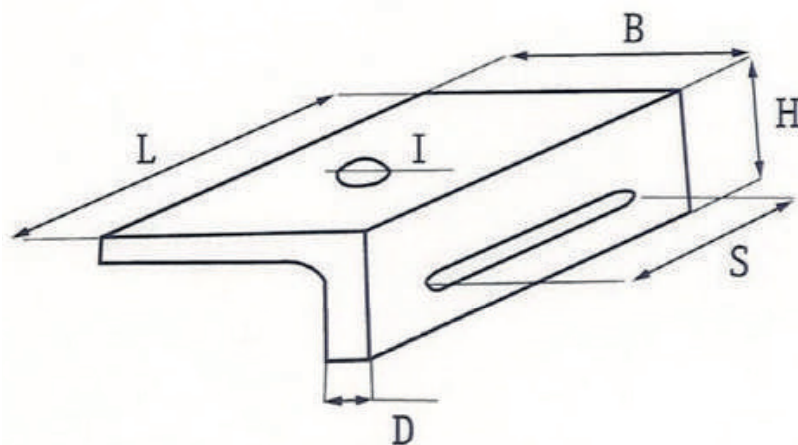


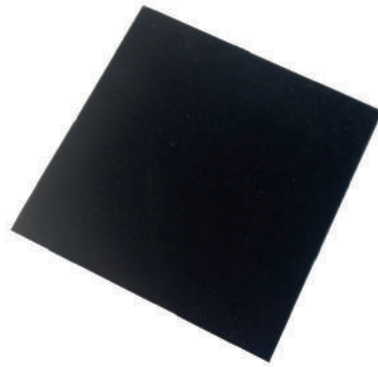
SPECIAL B-TOOL SERIE

THE B-TOOL S AND B-TOOL L

Application: The KOZ B-tool is the tool to assemble KOZ cable cleats and blocks on a straight or round pole, without damaging by drilling. The KOZ B-tools are universal and can be used for all types of KOZ cable cleats and blocks.

Type	L	B	I	D	S	H
KOZ B-TOOL S	60	35	12,5	5	26-2	32
KOZ B-TOOL L	80	42	14,5	6	40-2	34



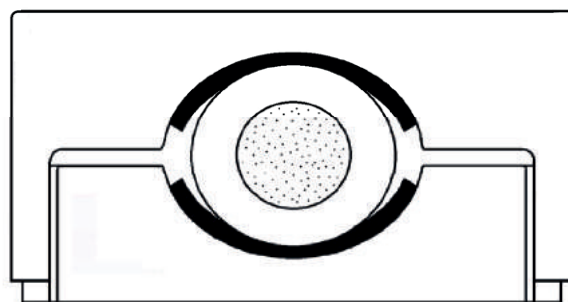
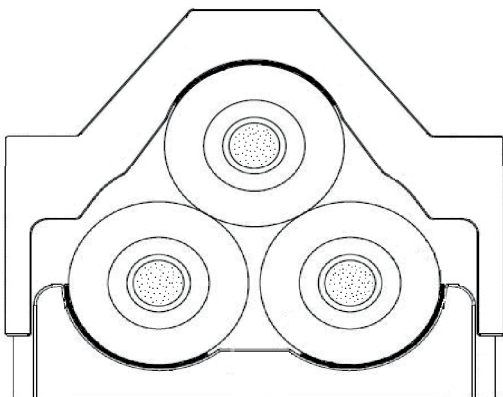


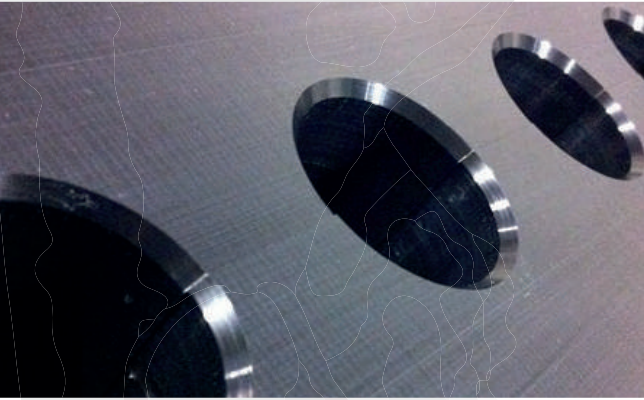
KOZ NEOPRENE INLAYS

Application: Local covering of the cable, with the aim to eliminate slight diameter changes which can be caused by tightening the mounting nuts to tightly or by changes in the surroundings temperatures. Furthermore, it provides a more stable fixation of cables that are mounted vertically. The neoprene inlays are also suitable for fixing cables with a smaller diameter than what is available in the KOZ cable clamps and cable blocks range.

Design: The neoprene inlays are suitable for ST, STC, TRI, TRI eco, UNI and SQ series. Available in 2 mm up to 6 mm thickness. The inlays are made of high-grade neoprene material. It is resistant to acid, ozone, rainfall, strong bases and the most aliphatic oils. Furthermore the material is self-extinguishing according to ISO 4589-2:1999. The axial sliding load test was performed according to the International Standard NEN-EN-IEC 61914:2016. The axial sliding load test was done at +120°C.

- Benefits:**
- Adds more grip for the cable during vertical installation
 - Does not damage the cable
 - High grade
 - Self-extinguishing
 - Resistant to most aliphatic oils



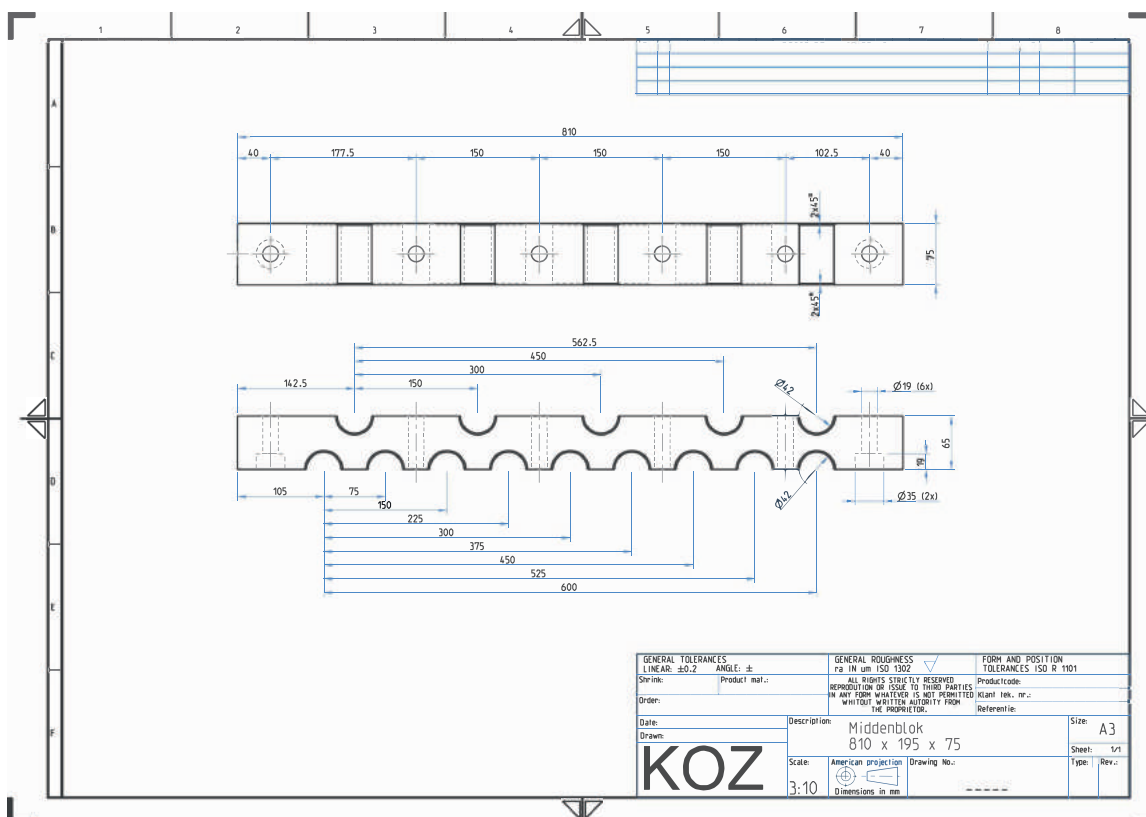


KOZ SPECIALS (CUSTOM MADE)

Application: KOZ Products B.V. specials blocks can be designed specifically to your specifications, to provide the best way of fitting low-, medium- and highvoltage cables in multiples alongside and in layers above each other.

The high density of our material means no air will enter, as occurs with other brands of products made from recycled materials. When there are large quantities involved we may explore the option of creating a mold for mass production. It is possible to perform a lateral or axial load test according to the International Standard NEN-EN-IEC 61914:2016.

Procedures: When starting the process of making a custom made cleat or block, to help solve your technical problem, we need a detailed description of the problem at hand, preferably with a drawing. KOZ Products B.V. will make a final drawing and quotation for approval and starts the process of making the custom made product. Further details such as prices and delivery times will be enclosed in the quotation.





KOZ CLEAT COVER "FUNCTIONAL INTEGRITY"

Application: KOZ cleat covers are suitable (in addition to the existing-cable cleat) to maintain a functional integrity for the cable cleat whenever a situation can occur where a loss of functional integrity is most likely.

By using the cleat covers the KOZ cable cleats are in accordance with the relevant requirements of the Lloyd's Register Type Approval System.





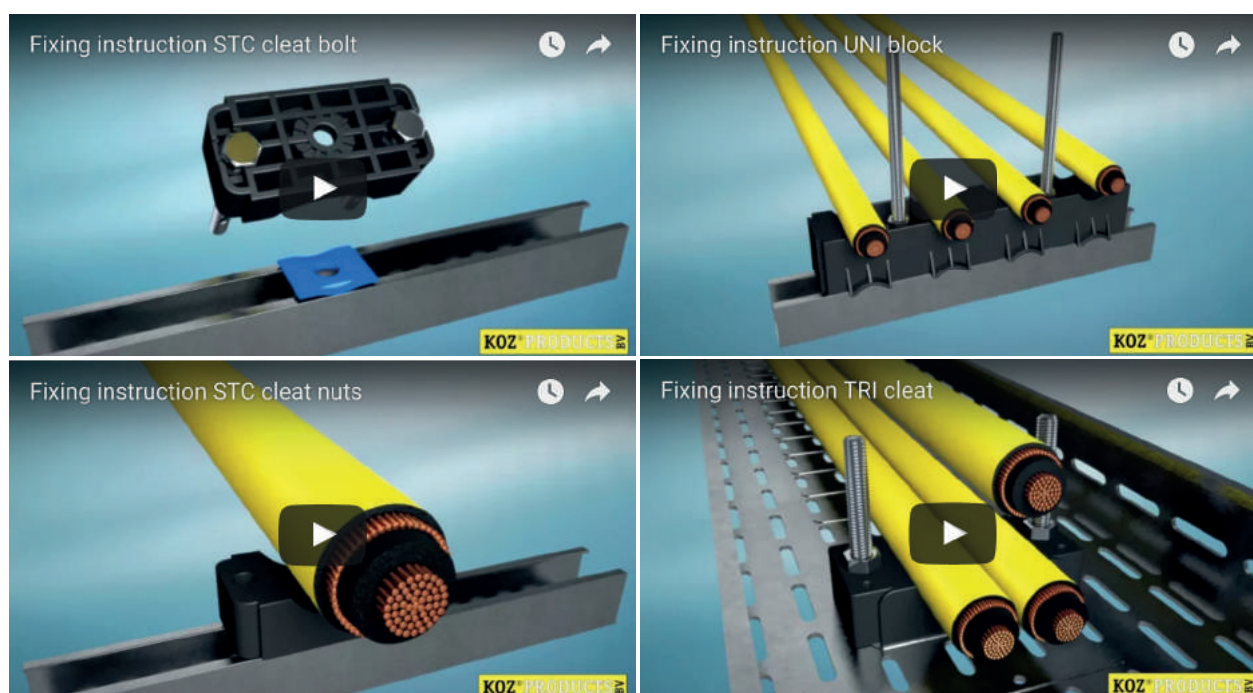
FIXING MATERIAL

For our full assortment of KOZ cable cleats and blocks we have the standard fixing material set (custom sizes) in stainless steel A2 deliverable from stock.

Other options: Besides our standard fixing material set in stainless steel A2 we also have the options for other types such as Electrolytically galvanized (ELVZ), Thermal galvanized/Hot Dip Galvanized (HDG), Duplex-steel or stainless steel A4.

Advice: Naturally we are pleased to give you advice which type of fixing material set you need in your own specific situation. Do not hesitate to contact us if you have any questions regarding fixing material.

Fixing instructions videos: Please find on our website an overview of some of our installation instruction for the KOZ cable cleats and blocks. These are only some of our most used examples for installation. Feel free to contact us for further advice on the installation possibilities.



The world's strongest synthetic cable cleats and blocks

KOZ[®] PRODUCTS BV

Design - Development - Manufacturing

SGS

KEMA

Lloyd's
Register

Schneider
Electric

UL
Listed



KHLim



KOZ Products B.V.

Albert Plesmanweg 3
4462 GC Goes The Netherlands
T: +31 (0)113 218 762
F: +31 (0)113 218 794
E: info@kozproducts.com
W: www.kozproducts.com

WWW.KOZPRODUCTS.COM